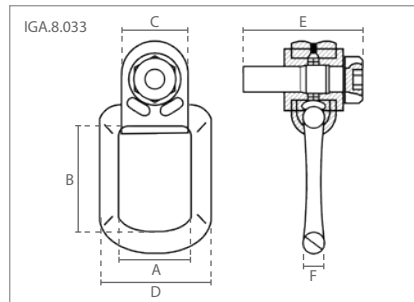




Grade 80 Toebehoren volgens EN 1677 / Grade 80 Accessories according to EN 1677

44. Wartel oogbouten /
Swivel eye bolts



| 44 | Specificaties / Specifications | | | Afmetingen / Dimensions (mm) | | | | | | | |
|------------------|--------------------------------|-----------------------|------------------|------------------------------|-----|-----|----|-----|-----|----|--|
| Artikel nummer | Capaciteit / Capacity | Capaciteit / Capacity | Gewicht / Weight | M | A | B | C | D | E | F | |
| Article code | (0°) ton | (90°) ton | kg | | | | | | | | |
| IGA.8.033.08 | 0.30 | 0.30 | 0.4 | M8x10 | 35 | 53 | 30 | 45 | 46 | 14 | |
| IGA.8.033.10 | 0.63 | 0.63 | 0.4 | M10x16 | 35 | 53 | 30 | 45 | 52 | 14 | |
| IGA.8.033.12 | 1.00 | 1.00 | 0.7 | M12x18 | 40 | 54 | 36 | 68 | 62 | 18 | |
| IGA.8.033.14 | 1.20 | 1.20 | 0.7 | M14x21 | 40 | 54 | 36 | 68 | 66 | 18 | |
| IGA.8.033.16-030 | 1.50 | 1.50 | 0.7 | M16x30 | 40 | 54 | 36 | 68 | 70 | 18 | |
| IGA.8.033.16-040 | 1.50 | 1.50 | 0.8 | M16x40 | 40 | 54 | 36 | 68 | 80 | 18 | |
| IGA.8.033.16-100 | 1.50 | 1.50 | 1.0 | M16x100 | 40 | 54 | 36 | 68 | 140 | 18 | |
| IGA.8.033.18-026 | 2.00 | 2.00 | 1.2 | M18x26 | 54 | 80 | 50 | 83 | 83 | 16 | |
| IGA.8.033.20-030 | 2.50 | 2.50 | 1.2 | M20x30 | 54 | 80 | 50 | 83 | 88 | 16 | |
| IGA.8.033.20-040 | 2.50 | 2.50 | 1.2 | M20x40 | 54 | 80 | 50 | 83 | 98 | 16 | |
| IGA.8.033.20-055 | 2.50 | 2.50 | 1.2 | M20x55 | 54 | 80 | 50 | 83 | 113 | 16 | |
| IGA.8.033.20-060 | 2.50 | 2.50 | 1.3 | M20x60 | 54 | 80 | 50 | 83 | 118 | 16 | |
| IGA.8.033.20-100 | 2.50 | 2.50 | 1.3 | M20x100 | 54 | 80 | 50 | 83 | 158 | 16 | |
| IGA.8.033.24-035 | 4.00 | 4.00 | 1.4 | M24x35 | 54 | 94 | 50 | 83 | 95 | 18 | |
| IGA.8.033.24-040 | 4.00 | 4.00 | 1.4 | M24x40 | 54 | 94 | 50 | 83 | 100 | 18 | |
| IGA.8.033.24-060 | 4.00 | 4.00 | 1.5 | M24x60 | 54 | 94 | 50 | 83 | 120 | 18 | |
| IGA.8.033.24-080 | 4.00 | 4.00 | 1.5 | M24x80 | 54 | 94 | 50 | 83 | 140 | 18 | |
| IGA.8.033.24-100 | 4.00 | 4.00 | 1.5 | M24x100 | 54 | 94 | 50 | 83 | 160 | 18 | |
| IGA.8.033.27 | 4.00 | 4.00 | 4.2 | M27x38 | 73 | 106 | 68 | 120 | 120 | 27 | |
| IGA.8.033.30-048 | 5.00 | 5.00 | 4.4 | M30x48 | 73 | 106 | 68 | 120 | 132 | 27 | |
| IGA.8.033.30-070 | 5.00 | 5.00 | 4.9 | M30x70 | 73 | 106 | 68 | 120 | 154 | 27 | |
| IGA.8.033.36-054 | 7.00 | 7.00 | 4.7 | M36x54 | 73 | 106 | 68 | 120 | 142 | 27 | |
| IGA.8.033.36-062 | 8.00 | 8.00 | 7.6 | M36x62 | 73 | 106 | 86 | 120 | 163 | 31 | |
| IGA.8.033.36-070 | 7.00 | 7.00 | 7.8 | M36x70 | 73 | 106 | 68 | 120 | 158 | 27 | |
| IGA.8.033.42-063 | 15.00 | 15.00 | 12.4 | M42x63 | 94 | 155 | 95 | 156 | 179 | 40 | |
| IGA.8.033.42-072 | 10.00 | 10.00 | 8.2 | M42x72 | 94 | 141 | 86 | 156 | 176 | 31 | |
| IGA.8.033.48-074 | 20.00 | 20.00 | 13.0 | M48x74 | 104 | 155 | 95 | 176 | 194 | 40 | |